



Am29F400T/Am29F400B

4 Megabit (524,288 x 8-Bit/262,144 x 16-Bit) CMOS 5.0 Volt-only,
Sector Erase Flash Memory

DISTINCTIVE CHARACTERISTICS

- **5.0 V \pm 10% read, write, and erase**
 - Minimizes system level power requirements
- **Compatible with JEDEC-standard commands**
 - Uses same software commands as E²PROMs
- **Compatible with JEDEC-standard word-wide pinouts**
 - 44-pin SO
 - 48-pin TSOP
- **Minimum 100,000 write/erase cycles**
- **High performance**
 - 70 ns maximum access time
- **Sector erase architecture**
 - One 16 Kbyte, two 8 Kbytes, one 32 Kbyte, and seven 64 Kbytes
 - Any combination of sectors can be concurrently erased. Also supports full chip erase.
- **Embedded Erase Algorithms**
 - Automatically pre-programs and erases the chip or any sector
- **Embedded Program Algorithms**
 - Automatically writes and verifies data at specified address
- **Data Polling and Toggle Bit feature for detection of program or erase cycle completion**
- **Low power consumption**
 - 20 mA typical active read current for Byte Mode
 - 28 mA typical active read current for Word Mode
 - 30 mA typical write/erase current
 - 25 μ A typical standby current
- **Low V_{cc} write inhibit \leq 3.2 V**
- **Sector protection**
 - Hardware method disables any combination of sectors from write or erase operations
- **Erase Suspend/Resume**
 - Suspends the erase operation to allow a read in another sector within the same device
- **Boot Code Sector Architecture**
 - T = Top sector
 - B = Bottom sector

GENERAL DESCRIPTION

The Am29F400 is a 4 Mbit, 5.0 V-only Flash memory organized as 512K bytes of 8 bits each or 256K words of 16 bits each. The Am29F400 is offered in 44-pin SO and 48-pin TSOP packages. This device is designed to be programmed in-system with the standard system 5.0 V V_{cc} supply. A 12.0 V V_{pp} is not required for write or erase operations. The device can also be programmed in standard EPROM programmers. The Am29F400 is erased when shipped from the factory.

The standard Am29F400 offers access times between 70 ns and 150 ns, allowing operation of high-speed microprocessors without wait states. To eliminate bus

contention the device has separate chip enable (\overline{CE}), write enable (\overline{WE}) and output enable (\overline{OE}) controls.

The Am29F400 is pin and command set compatible with JEDEC standard 4 Mbit E²PROMs. Commands are written to the command register using standard microprocessor write timings. Register contents serve as input to an internal state-machine which controls the erase and programming circuitry. Write cycles also internally latch addresses and data needed for the programming and erase operations. Reading data out of the device is similar to reading from 12.0 V Flash or EPROM devices.

PRODUCT SELECTOR GUIDE

Family Part No:	Am29F400			
Ordering Part No: V _{cc} = 5.0 V \pm 5%	-75			
V _{cc} = 5.0 V \pm 10%		-90	-120	-150
Max Access Time (ns)	70	90	120	150
\overline{CE} (\overline{E}) Access (ns)	70	90	120	150
\overline{OE} (\overline{G}) Access (ns)	30	35	50	55

Publication# 18612 Rev. A Amendment/0
Issue Date: March 1994

This document contains information on a product under development at Advanced Micro Devices, Inc. The information is intended to help you evaluate this product. AMD reserves the right to change or discontinue work on this proposed product without notice.

1-113

■ 0257528 0032530 205 ■

The Am29F400 is programmed by executing the program command sequence. This will invoke the Embedded Program Algorithm which is an internal algorithm that automatically times the program pulse widths and verifies proper cell margin. Typically, each sector can be programmed and verified in less than one second. Erase is accomplished by executing the erase command sequence. This will invoke the Embedded Erase Algorithm which is an internal algorithm that automatically preprograms the array if it is not already programmed before executing the erase operation. During erase, the device automatically times the erase pulse widths and verifies proper cell margin.

The entire chip or any individual sector is typically erased and verified in 1.5 seconds (if already completely preprogrammed).

This device also features a sector erase architecture. The sector mode allows each sector to be erased and reprogrammed without affecting other sectors.

The device features single 5.0 V power supply operation for both read and write functions. Internally generated and regulated voltages are provided for the program and erase operations. A low V_{cc} detector automatically inhibits write operations on the loss of power. The end of program or erase is detected by Data Polling of DQ7, by the Toggle Bit feature on DQ6, or the RY/BY pin. Once the end of a program or erase cycle has been completed, the device internally resets to the read mode.

AMD's Flash technology combines years of EPROM and E²PROM experience to produce the highest levels of quality, reliability and cost effectiveness. The Am29F400 memory electrically erases the entire chip or all bits within a sector simultaneously via Fowler-Nordheim tunneling. The bytes/words are programmed one byte/word at a time using the EPROM programming mechanism of hot electron injection.

Flexible Sector-Erase Architecture

- One 16 Kbyte, two 8 Kbytes, one 32 Kbyte, and seven 64 Kbytes,
- Individual-sector, multiple-sector, or bulk-erase capability
- Individual or multiple-sector protection is user definable

16 Kbyte	7FFFFh
8 Kbyte	7BFFFh
8 Kbyte	79FFFh
32 Kbyte	77FFFh
64 Kbyte	6FFFFh
64 Kbyte	5FFFFh
64 Kbyte	4FFFFh
64 Kbyte	3FFFFh
64 Kbyte	2FFFFh
64 Kbyte	1FFFFh
64 Kbyte	0FFFFh
64 Kbyte	00000h

Am29F400T Sector Architecture

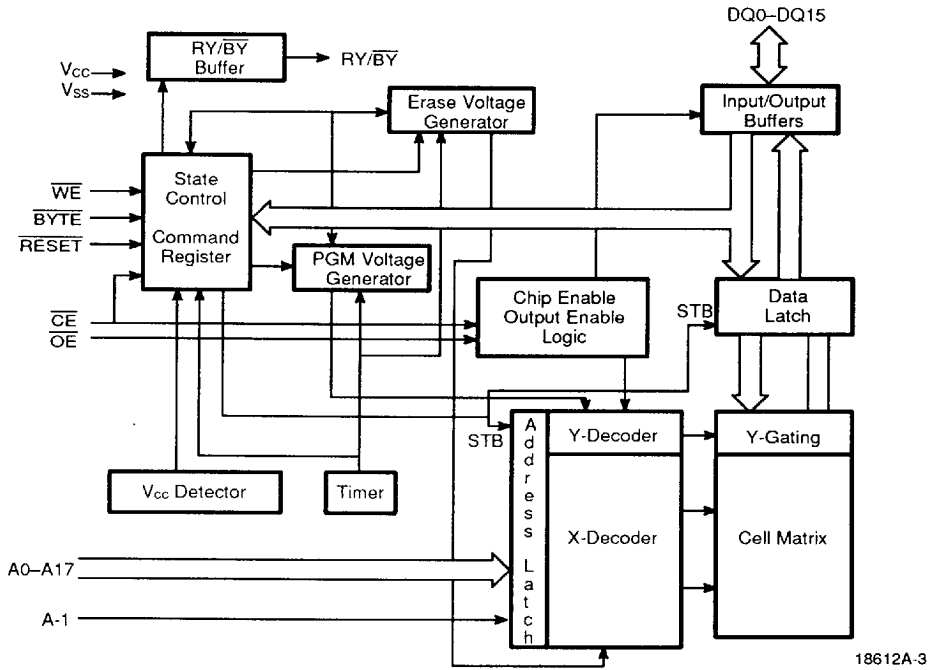
18612A-1

64 Kbyte	7FFFFh
64 Kbyte	6FFFFh
64 Kbyte	5FFFFh
64 Kbyte	4FFFFh
64 Kbyte	3FFFFh
64 Kbyte	2FFFFh
64 Kbyte	1FFFFh
64 Kbyte	0FFFFh
32 Kbyte	07FFFh
8 Kbyte	05FFFh
8 Kbyte	03FFFh
16 Kbyte	00000h

Am29F400B Sector Architecture

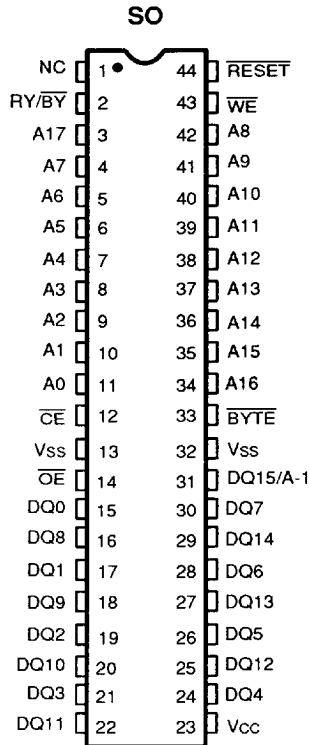
18612A-2

BLOCK DIAGRAM



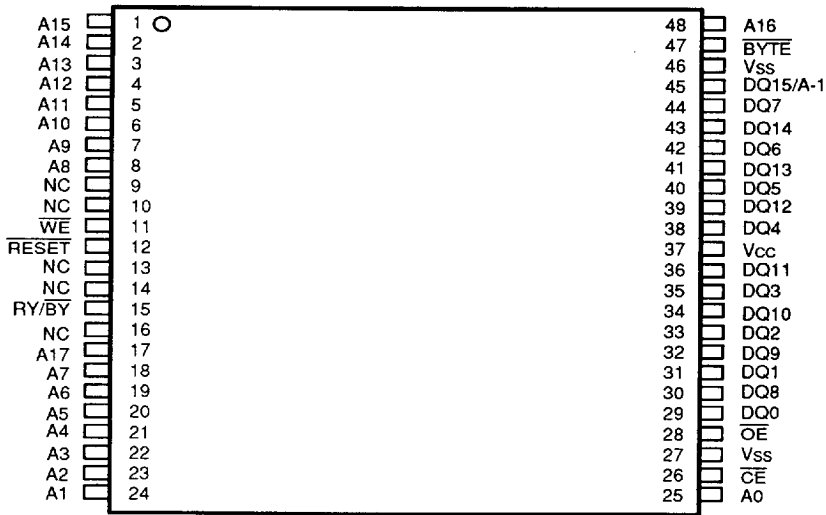
■ 0257528 0032532 088 ■

CONNECTION DIAGRAMS



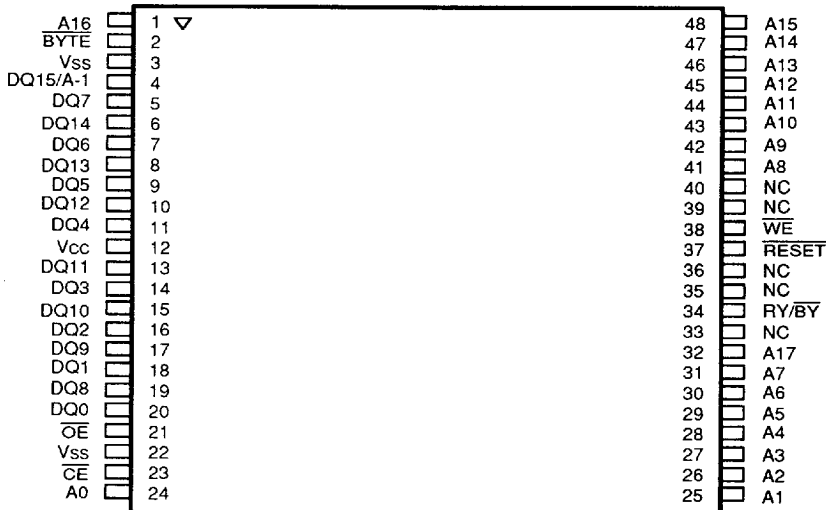
18612A-4

CONNECTION DIAGRAMS



Standard TSOP

18612A-5



Reverse TSOP

18612A-6

LOGIC SYMBOL

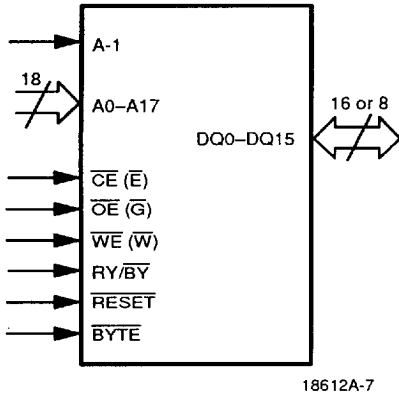


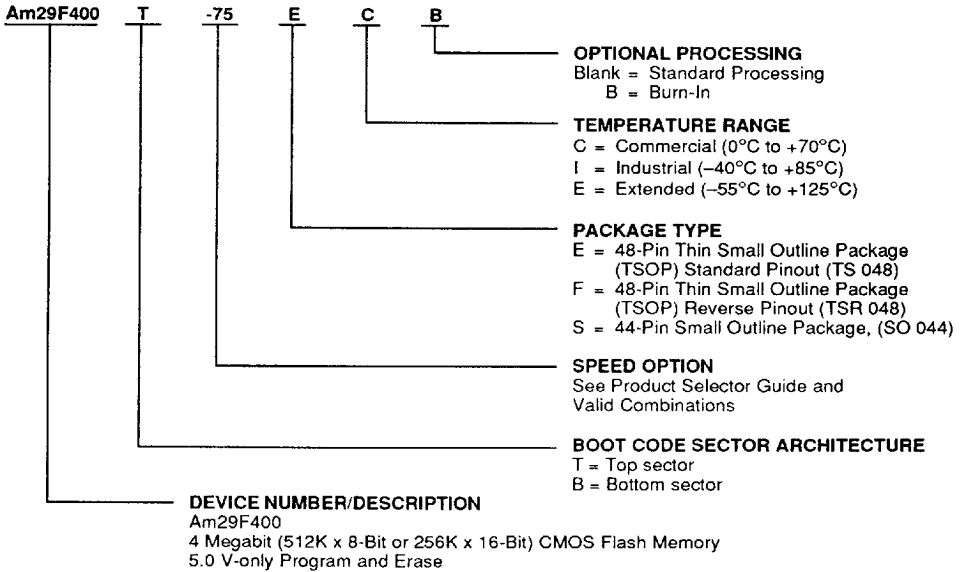
Table 1. Am29F400 Pin Configuration

Pin	Function
A-1, A0-A17	Address Inputs
DQ0-DQ15	Data Input/Output
\overline{CE}	Chip Enable
\overline{OE}	Output Enable
\overline{WE}	Write Enable
RY/ \overline{BY}	Ready-Busy Input
\overline{RESET}	Hardware Reset Pin/Sector Protect Unlock
BYTE	Selects 8-bit or 16-bit mode
NC	No Internal Connection
Vss	Device Ground
Vcc	Device Power Supply (5.0 V \pm 10% or \pm 5%)

ORDERING INFORMATION

Standard Products

AMD standard products are available in several packages and operating ranges. The order number (Valid Combination) is formed by a combination of:



Valid Combinations	
Am29F400T/B-75	EC, FC, SC
Am29F400T/B-90	EC, EI, FC, FI, EE, EEB, FE, FEB, SC, SI, SE, SEB
Am29F400T/B-120	
Am29F400T/B-150	

Valid Combinations
Valid Combinations list configurations planned to be supported in volume for this device. Consult the local AMD sales office to confirm availability of specific valid combinations and to check on newly released combinations.

Table 2. Am29F400 User Bus Operations ($\overline{\text{BYTE}} = V_{IH}$)

Operation	$\overline{\text{CE}}$	$\overline{\text{OE}}$	$\overline{\text{WE}}$	A0	A1	A6	A9	DQ0-DQ15	RESET
Auto-Select Manufacturer Code (1)	L	L	H	L	L	L	VID	Code	H
Auto-Select Device Code (1)	L	L	H	H	L	L	VID	Code	H
Read (3)	L	L	H	A0	A1	A6	A9	DOUT	H
Standby	H	X	X	X	X	X	X	HIGH Z	H
Output Disable	L	H	H	X	X	X	X	HIGH Z	X
Write	L	H	L	A0	A1	A6	A9	DIN	H
Enable Sector Protect	L	VID	L	X	X	X	VID	X	H
Verify Sector Protect (2)	L	L	H	L	H	L	VID	Code	H
Temporary Sector Unprotect	X	X	X	X	X	X	X	X	VID
Reset (Hardware)	X	X	X	X	X	X	X	HIGH Z	L

Table 3. Am29F400 User Bus Operations ($\overline{\text{BYTE}} = V_{IL}$)

Operation	$\overline{\text{CE}}$	$\overline{\text{OE}}$	$\overline{\text{WE}}$	A0	A1	A6	A9	DQ0-DQ7	RESET
Auto-Select Manufacturer Code (1)	L	L	H	L	L	L	VID	Code	H
Auto-Select Device Code (1)	L	L	H	H	L	L	VID	Code	H
Read (3)	L	L	H	A0	A1	A6	A9	DOUT	H
Standby	H	X	X	X	X	X	X	HIGH Z	H
Output Disable	L	H	H	X	X	X	X	HIGH Z	X
Write	L	H	L	A0	A1	A6	A9	DIN	H
Enable Sector Protect	L	VID	L	X	X	X	VID	X	H
Verify Sector Protect (2)	L	L	H	L	H	L	VID	Code	H
Temporary Sector Unprotect	X	X	X	X	X	X	X	X	VID
Reset (Hardware)	X	X	X	X	X	X	X	HIGH Z	L

Legend:

L = V_{IL} , H = V_{IH} , X = Don't Care. See DC Characteristics for voltage levels.

Notes:

1. Manufacturer and device codes may also be accessed via a command register write sequence. Refer to Table 7.
2. Refer to the section on Sector Protection.
3. $\overline{\text{WE}}$ can be V_{IL} if $\overline{\text{OE}}$ is V_{IL} , $\overline{\text{OE}}$ at V_{IH} initiates the write operations.

Read Mode

The Am29F400 has two control functions which must be satisfied in order to obtain data at the outputs. $\overline{\text{CE}}$ is the power control and should be used for device selection. $\overline{\text{OE}}$ is the output control and should be used to gate data to the output pins if a device is selected.

Address access time (t_{ACC}) is equal to the delay from stable addresses to valid output data. The chip enable

access time (t_{CE}) is the delay from stable addresses and stable $\overline{\text{CE}}$ to valid data at the output pins. The output enable access time is the delay from the falling edge of $\overline{\text{OE}}$ to valid data at the output pins (assuming the addresses have been stable for at least $t_{ACC}-t_{OE}$ time).

Standby Mode

The Am29F400 has two standby modes, a CMOS standby mode (\overline{CE} input held at $V_{CC} \pm 0.5 V$), when the current consumed is less than $100 \mu A$; and a TTL standby mode (\overline{CE} is held at V_{IH}) when the current required is reduced to approximately $1 mA$. In the standby mode the outputs are in a high impedance state, independent of the \overline{OE} input.

If the device is deselected during erasure or programming, the device will draw active current until the operation is completed.

Output Disable

With the \overline{OE} input at a logic high level (V_{IH}), output from the device is disabled. This will cause the output pins to be in a high impedance state.

Autoselect

The autoselect mode allows the reading out of a binary code from the device and will identify its manufacturer and type. This mode is intended for use by programming equipment for the purpose of automatically matching the device to be programmed with its corresponding

programming algorithm. This mode is functional over the entire temperature range of the device.

To activate this mode, the programming equipment must force V_{ID} ($11.5 V$ to $12.5 V$) on address pin A9. Two identifier bytes may then be sequenced from the device outputs by toggling address A0 from V_{IL} to V_{IH} . All addresses are don't cares except A0, A1, and A6.

The manufacturer and device codes may also be read via the command register, for instances when the Am29F400 is erased or programmed in a system without access to high voltage on the A9 pin. The command sequence is illustrated in Table 7 (refer to Autoselect Command section).

Byte 0 ($A0 = V_{IL}$) represents the manufacturer's code (AMD=01H) and byte 1 ($A0 = V_{IH}$) the device identifier code (Am29F400T = 23H and Am29F400B = ABH for x8 mode; Am29F400T = 2223H and Am29F400B = 22ABH for x16 mode). These two bytes/words are given in the table below. All identifiers for manufacturer and device will exhibit odd parity with DQ7 defined as the parity bit. In order to read the proper device codes when executing the autoselect, A1 must be V_{IL} (see Tables 4.1 and 4.2).

Table 4.1 Am29F400 Sector Protection Verify Autoselect Codes

Type		A12-A17	A6	A1	A0	Code (HEX)
Manufacturer's Code		X	V_{IL}	V_{IL}	V_{IL}	01H
Am29F400 Device Code	Am29F400T	Byte	X	V_{IL}	V_{IL}	23H
		Word	X	V_{IL}	V_{IH}	2223H
	Am29F400B	Byte	X	V_{IL}	V_{IL}	ABH
		Word	X	V_{IL}	V_{IH}	22ABH
Sector Protection		Sector Addresses	V_{IL}	V_{IH}	V_{IL}	01H*

*Outputs 01H at protected sector addresses

Table 4.2 Expanded Autoselect Code Table

Type	Code	DQ 15	DQ 14	DQ 13	DQ 12	DQ 11	DQ 10	DQ 9	DQ 8	DQ 7	DQ 6	DQ 5	DQ 4	DQ 3	DQ 2	DQ 1	DQ 0
Manufacturer's Code	01H	0	0	0	0	0	0	0	0	0	0	0	0	0	0	0	1
Am29F400 Device Code	Am29F400T(B) (W) 23H 2223H	A-1 0	HI-Z 0	HI-Z 1	HI-Z 0	HI-Z 0	HI-Z 0	HI-Z 1	HI-Z 0	HI-Z 0	0	1	0	0	0	1	1
	Am29F400B(B) (W) ABH 22ABH	A-1 0	HI-Z 0	HI-Z 1	HI-Z 0	HI-Z 0	HI-Z 0	HI-Z 1	HI-Z 0	1	0	1	0	1	0	1	1
Sector Protection	01H	0	0	0	0	0	0	0	0	0	0	0	0	0	0	0	1

(B) – Byte mode

(W) – Word mode

Table 5. Sector Address Tables (Am29F400T)

	A17	A16	A15	A14	A13	A12	Address Range
SA0	0	0	0	X	X	X	00000h–0FFFFh
SA1	0	0	1	X	X	X	10000h–1FFFFh
SA2	0	1	0	X	X	X	20000h–2FFFFh
SA3	0	1	1	X	X	X	30000h–3FFFFh
SA4	1	0	0	X	X	X	40000h–4FFFFh
SA5	1	0	1	X	X	X	50000h–5FFFFh
SA6	1	1	0	X	X	X	60000h–6FFFFh
SA7	1	1	1	0	X	X	70000h–77FFFh
SA8	1	1	1	1	0	0	78000h–79FFFh
SA9	1	1	1	1	0	1	7A000h–7BFFFh
SA10	1	1	1	1	1	X	7C000h–7FFFFh

Table 6. Sector Address Tables (Am29F400B)

	A17	A16	A15	A14	A13	A12	Address Range
SA0	0	0	0	0	0	X	00000h–03FFFh
SA1	0	0	0	0	1	0	04000h–05FFFh
SA2	0	0	0	0	1	1	06000h–07FFFh
SA3	0	0	0	1	X	X	08000h–0FFFFh
SA4	0	0	1	X	X	X	10000h–1FFFFh
SA5	0	1	0	X	X	X	20000h–2FFFFh
SA6	0	1	1	X	X	X	30000h–3FFFFh
SA7	1	0	0	X	X	X	40000h–4FFFFh
SA8	1	0	1	X	X	X	50000h–5FFFFh
SA9	1	1	0	X	X	X	60000h–6FFFFh
SA10	1	1	1	X	X	X	70000h–7FFFFh

Write

Device erasure and programming are accomplished via the command register. The contents of the register serve as inputs to the internal state machine. The state machine outputs dictate the function of the device.

The command register itself does not occupy any addressable memory location. The register is a latch used to store the commands, along with the address and data information needed to execute the command. The command register is written to by bringing \overline{WE} to V_{IL} , while \overline{CE} is at V_{IL} and \overline{OE} is at V_{IH} . Addresses are latched on the falling edge of \overline{WE} or \overline{CE} , whichever happens later; while data is latched on the rising edge of \overline{WE} or \overline{CE} ,

whichever happens first. Standard microprocessor write timings are used.

Refer to AC Write Characteristics and the Erase/Programming Waveforms for specific timing parameters.

Sector Protection

The Am29F400 features hardware sector protection. This feature will disable both program and erase operations in any number of sectors (0 through 10). The sector protect feature is enabled using programming equipment at the user's site. The device is shipped with all sectors unprotected. Alternatively, AMD may program

and protect sectors in the factory prior to shipping the device (AMD's ExpressFlash™ Service).

To activate this mode, the programming equipment must force V_{ID} on address pin A9 and control pin \overline{OE} , (suggest $V_{ID} = 11.5\text{ V}$) and $\overline{CE} = V_{IL}$. The sector addresses (A17, A16, A15, A14, A13, and A12) should be set to the sector to be protected. Tables 5 and 6 define the sector address for each of the eleven (11) individual sectors. Programming of the protection circuitry begins on the falling edge of the \overline{WE} pulse and is terminated with the rising edge of the same. Sector addresses must be held constant during the \overline{WE} pulse. Refer to figures 17 and 18 for sector protection algorithm and waveforms.

To verify programming of the protection circuitry, the programming equipment must force V_{ID} on address pin A9 with \overline{CE} and \overline{OE} at V_{IL} and \overline{WE} at V_{IH} . Scanning the sector addresses (A17, A16, A15, A14, A13, and A12) while (A6, A1, A0) = (0, 1, 0) will produce a logical "1" code at device output DQ0 for a protected sector. Otherwise the device will produce 00H for an unprotected sector. In this mode, the lower order addresses, except for A0, A1, and A6 are don't care. Address locations with A1 = V_{IL} are reserved for Autoselect manufacturer and device codes.

It is also possible to determine if a sector is protected in the system by writing an Autoselect command. Performing a read operation at the address location XX02H, where the higher order addresses (A17, A16, A15, A14, A13, and A12) are the sector address will produce a logical "1" at DQ0 for a protected sector. See Table 4.1 for Autoselect codes.

Temporary Sector Unprotect

This feature allows temporary unprotection of previously protected sectors of the Am29F400 device in order to change data. The Sector Unprotect mode is activated by setting the RESET pin to high voltage

(12 V). During this mode, formerly protected sectors can be programmed or erased by selecting the sector addresses. Once the 12 V is taken away from the RESET pin, all the previously protected sectors will be protected again.

Sector Unprotect

The Am29F400 also features a sector unprotect mode, so that a protected sector may be unprotected to incorporate any changes in the code. All sectors should be protected prior to unprotecting any sector.

To activate this mode, the programming equipment must force V_{ID} on control pin \overline{OE} and address pin A9. The \overline{CE} and A0 pins must be set at V_{IL} . Pins A6 and A1 must be set to V_{IH} . Refer to Figure 19 for the sector unprotect algorithm. The unprotect mechanism begins on the falling edge of the \overline{WE} pulse and is terminated with the rising edge of the same.

It is also possible to determine if a sector is unprotected in the system by writing the autoselect command and A6 is set at V_{IL} . Performing a read operation at address location XXX2H, where the higher order addresses (A17, A16, A15, A14, A13, and A12) define a particular sector address, will produce 00H at data outputs (DQ0–DQ7) for an unprotected sector.

Command Definitions

Device operations are selected by writing specific address and data sequences into the command register.

Writing incorrect address and data values or writing them in the improper sequence will reset the device to the read mode. Table 7 defines the valid register command sequences. Note that the Erase Suspend (B0) and Erase Resume (30) commands are valid only while the Sector Erase operation is in progress. Either of the two reset commands will reset the device (when applicable). Please note that commands are always written at DQ0–DQ7 and DQ8–DQ15 bits are ignored.

Table 7. Am29F400 Command Definitions

Command Sequence Read/Reset	Bus Write Cycles Req'd	First Bus Write Cycle		Second Bus Write Cycle		Third Bus Write Cycle		Fourth Bus Read/Write Cycle		Fifth Bus Write Cycle		Sixth Bus Write Cycle		
		Addr	Data	Addr	Data	Addr	Data	Addr	Data	Addr	Data	Addr	Data	
Read/Reset	1	XXXXH	F0H											
Read/Reset	Word	4	5555H	AAH	2AAAH	55H	5555H	F0H	RA	RD				
	Byte		AAAAH		5555H		AAAAH							
Autoselect	Word	4	5555H	AAH	2AAAH	55H	5555H	90H						
	Byte		AAAAH		5555H		AAAAH							
Program	Word	4	5555H	AAH	2AAAH	55H	5555H	A0H	PA	Data				
	Byte		AAAAH		5555H		AAAAH							
Chip Erase	Word	6	5555H	AAH	2AAAH	55H	5555H	80H	5555H	AAH	2AAAH	55H	5555H	10H
	Byte		AAAAH		5555H		AAAAH		AAAAH		5555H		AAAAH	
Sector Erase	Word	6	5555H	AAH	2AAAH	55H	5555H	80H	5555H	AAH	2AAAH	55H	SA	30H
	Byte		AAAAH		5555H		AAAAH		AAAAH		5555H			
Sector Erase Suspend	Erase can be suspended during sector erase with Addr (don't care), Data (B0H)													
Sector Erase Resume	Erase can be resumed after suspend with Addr (don't care), Data (30H)													

Notes:

- Address bit A15 = X = Don't Care for all address commands except for Program Address (PA) and Sector Address (SA). Write Sequences may be initiated with A15 in either state.
- Address bits A16 = X = Don't Care for all address commands except for Program Address (PA) and Sector Address (SA).
- Bus operations are defined in Table 2.
- RA = Address of the memory location to be read.
PA = Address of the memory location to be programmed. Addresses are latched on the falling edge of the \overline{WE} pulse.
SA = Address of the sector to be erased. The combination of A16, A15, A14, A13, and A12 will uniquely select any sector.
- RD = Data read from location RA during read operation.
PD = Data to be programmed at location PA. Data is latched on the falling edge of \overline{WE} .
- The system should generate the following address patterns:
Word Mode: 5555H or 2AAAH to addresses A0 – A14
Byte Mode: AAAAH or 5555H to addresses A-1 – A14.

Read/Reset Command

The read or reset operation is initiated by writing the read/reset command sequence into the command register. Microprocessor read cycles retrieve array data from the memory. The device remains enabled for reads until the command register contents are altered.

The device will automatically power-up in the read/reset state. In this case, a command sequence is not required to read data. Standard microprocessor read cycles will retrieve array data. This default value ensures that no spurious alteration of the memory content occurs during the power transition. Refer to the AC Read Characteristics and Waveforms for the specific timing parameters.

Autoselect Command

Flash memories are intended for use in applications where the local CPU alters memory contents. As such, manufacture and device codes must be accessible while the device resides in the target system. PROM programmers typically access the signature codes by raising A9 to a high voltage. However, multiplexing high voltage onto the address lines is not generally desired system design practice.

The device contains an autoselect command operation to supplement traditional PROM programming methodology. The operation is initiated by writing the autoselect command sequence into the command register. Following the command write, a read cycle from address XX00H retrieves the manufacture code of 01H. A read cycle from address XX01H returns the device code (Am29F400T = 23H and Am29F400B = ABH for x8 mode; Am29F400T = 2223H and Am29F400B = 22ABH for x16 mode) (see Tables 4.1 and 4.2).

All manufacturer and device codes will exhibit odd parity with DQ7 defined as the parity bit.

Scanning the sector addresses (A17, A16, A15, A14, A13, and A12) while (A6, A1, A0) = (0, 1, 0) will produce a logical "1" at device output DQ0 for a protected sector.

To terminate the operation, it is necessary to write the read/reset command sequence into the register.

Byte/Word Programming

The device is programmed on a byte-by-byte (or word-by-word) basis. Programming is a four bus cycle operation. There are two "unlock" write cycles. These are followed by the program set-up command and data write cycles. Addresses are latched on the falling edge of \overline{CE} or \overline{WE} , whichever happens later and the data is latched on the rising edge of \overline{CE} or \overline{WE} , whichever happens first. The rising edge of \overline{CE} or \overline{WE} (whichever happens first) begins programming. Upon executing the Embedded Program Algorithm command sequence the system is *not* required to provide further controls or timings. The device will automatically provide adequate internally generated program pulses and verify the programmed cell margin.

The automatic programming operation is completed when the data on DQ7 is equivalent to data written to this bit (see Write Operation Status section) at which time the device returns to the read mode and addresses are no longer latched. Therefore, the device requires that a valid address to the device be supplied by the system at this particular instance of time. Hence, Data Polling must be performed at the memory location which is being programmed.

Any commands written to the chip during this period will be ignored.

Programming is allowed in any sequence and across sector boundaries. Beware that a data "0" cannot be programmed back to a "1". Attempting to do so may either hang up the device or result in an apparent success according to the data polling algorithm but a read

from reset/read mode will show that the data is still "0". Only erase operations can convert "0"s to "1"s.

Figure 1 illustrates the Embedded Programming Algorithm using typical command strings and bus operations.

Chip Erase

Chip erase is a six bus cycle operation. There are two "unlock" write cycles. These are followed by writing the "set-up" command. Two more "unlock" write cycles are then followed by the chip erase command.

Chip erase does *not* require the user to program the device prior to erase. Upon executing the Embedded Erase™ Algorithm command sequence the device automatically will program and verify the entire memory for an all zero data pattern prior to electrical erase. The system is not required to provide any controls or timings during these operations.

The automatic erase begins on the rising edge of the last \overline{WE} pulse in the command sequence and terminates when the data on DQ7 is "1" (see Write Operation Status section) at which time the device returns to read the mode.

Figure 2 illustrates the Embedded Erase Algorithm using typical command strings and bus operations.

Sector Erase

Sector erase is a six bus cycle operation. There are two "unlock" write cycles. These are followed by writing the "set-up" command. Two more "unlock" write cycles are then followed by the sector erase command. The sector address (any address location within the desired sector) is latched on the falling edge of \overline{WE} , while the command (30H) is latched on the rising edge of \overline{WE} . A time-out of 80 μ s from the rising edge of the last sector erase command will initiate the sector erase command(s).

Multiple sectors may be erased concurrently by writing the six bus cycle operations as described above. This sequence is followed with writes of the Sector Erase command to addresses in other sectors desired to be concurrently erased. The time between writes must be less than 80 μ s otherwise that command will not be accepted and erasure will start. It is recommended that processor interrupts be disabled during this time to guarantee this condition. The interrupts can be re-enabled after the last Sector Erase command is written. A time-out of 80 μ s from the rising edge of the last \overline{WE} will initiate the execution of the Sector Erase command(s). If another falling edge of the \overline{WE} occurs within the 80 μ s time-out window the timer is reset. (Monitor DQ3 to determine if the sector erase timer window is still open, see section DQ3, Sector Erase Timer.) Any command other than Sector Erase or Erase Suspend during this period will reset the device to the read mode, ignoring the previous command string. Resetting the device once execution has begun will corrupt the data in that sector. In that case, restart the erase on those sectors and allow them to complete. (Refer to the Write Operation Status section for Sector Erase Timer operation.) Loading the

sector erase buffer may be done in any sequence and with any number of sectors (0 to 10).

Sector erase does *not* require the user to program the device prior to erase. The device automatically programs all memory locations in the sector(s) to be erased prior to electrical erase. When erasing a sector or sectors the remaining unselected sectors are not affected. The system is *not* required to provide any controls or timings during these operations.

The automatic sector erase begins after the 80 μ s time out from the rising edge of the WE pulse for the last sector erase command pulse and terminates when the data on DQ7 is "1" (see Write Operation Status section) at which time the device returns to the read mode. Data Polling must be performed at an address within any of the sectors being erased.

Figure 2 illustrates the Embedded Erase Algorithm using typical command strings and bus operations.

Erase Suspend

Erase Suspend command allows the user to interrupt the chip and then perform data reads (not program) from a non-busy sector during a Sector Erase operation (which may take up to several seconds). This command is applicable **ONLY** during the Sector Erase operation and will be ignored if written during the Chip Erase or Programming operation. The Erase Suspend command (B0H) which is allowed only during the Sector Erase Operation includes the sector erase time-out period after the Sector Erase commands (30H). Writing this command during the time-out will result in immediate termination of the time-out period. Any subsequent writes of the Sector Erase command will be taken as the Erase Resume command. Note that any other commands during the time out will reset the device to read mode. The

addresses are don't-cares when writing the Erase Suspend or Erase Resume commands.

When the Erase Suspend command is written during a Sector Erase operation, the chip will take between 0.1 μ s to 15 μ s to suspend the erase operation and go into erase suspended read mode (pseudo-read mode), during which the user can read from a sector that is NOT being erased. A read from a sector being erased may result in invalid data. The user must monitor the toggle bit (DQ6) to determine if the chip has entered the pseudo-read mode, at which time the toggle bit stops toggling. An address of a sector NOT being erased must be used to read the toggle bit, otherwise the user may encounter intermittent problems. Note that the user must keep track of what state the chip is in since there is no external indication of whether the chip is in pseudo-read mode or actual read mode. After the user writes the Erase Suspend command, the user must wait until the toggle bit stops toggling before data reads from the device can be performed. Any further writes of the Erase Suspend command at this time will be ignored.

Every time an Erase Suspend command followed by an Erase Resume command is written, the internal (pulse) counters are reset. These counters are used to count the number of high voltage pulses the memory cell requires to program or erase. If the count exceeds a certain limit, then the DQ5 bit will be set (Exceeded Time Limit flag). This resetting of the counters is necessary since the Erase Suspend command can potentially interrupt or disrupt the high voltage pulses.

To resume the operation of Sector Erase, the Resume command (30H) should be written. Any further writes of the Resume command at this point will be ignored. Another Erase Suspend command can be written after the chip has resumed erasing.

Write Operation Status

Table 8. Hardware Sequence Flags

In Progress	Status	DQ7	DQ6	DQ5	DQ3	DQ2-DQ0
	Auto-Programming	$\overline{\text{DQ7}}$	Toggle	0	0	
Exceeded Time Limits	Program/Erase in Auto Erase	0	Toggle	0	1	$(\overline{\text{D}})$ (Note 1)
	Auto-Programming	$\overline{\text{DQ7}}$	Toggle	1	1	
Exceeded Time Limits	Program/Erase in Auto-Erase	0	Toggle	1	1	$(\overline{\text{D}})$ (Note 1)
	Auto-Programming	$\overline{\text{DQ7}}$	Toggle	1	1	

Notes:

1. DQ0, DQ1, DQ2 are reserve pins for future use.
2. DQ8 - DQ15 = Don't Care for X16 mode.
3. DQ4 for AMD internal use only.

DQ7**Data Polling**

The Am29F400 device features $\overline{\text{Data}}$ Polling as a method to indicate to the host that the Embedded Algorithms are in progress or completed. During the Embedded Program Algorithm an attempt to read the device will produce the complement of the data last written to DQ7. Upon completion of the Embedded Program Algorithm, an attempt to read the device will produce the true data last written to DQ7. During the Embedded Erase Algorithm, an attempt to read the device will produce a "0" at the DQ7 output. Upon completion of the Embedded Erase Algorithm an attempt to read the device will produce a "1" at the DQ7 output. The flowchart for $\overline{\text{Data}}$ Polling (DQ7) is shown in Figure 3.

For chip erase, the $\overline{\text{Data}}$ Polling is valid after the rising edge of the sixth WE pulse in the six write pulse sequence. For sector erase, the $\overline{\text{Data}}$ Polling is valid after the last rising edge of the sector erase WE pulse. Data Polling must be performed at sector address within any of the sectors being erased and not a protected sector. Otherwise, the status may not be valid. Once the Embedded Algorithm operation is close to being completed, the Am29F400 data pins (DQ7) may change asynchronously while the output enable ($\overline{\text{OE}}$) is asserted low. This means that the device is driving status information on DQ7 at one instant of time and then that byte's valid data at the next instant of time. Depending on when the system samples the DQ7 output, it may read the status or valid data. Even if the device has completed the Embedded Algorithm operation and DQ7 has a valid data, the data outputs on DQ0–DQ6 may be still invalid. The valid data on DQ0–DQ7 will be read on the successive read attempts.

The $\overline{\text{Data}}$ Polling feature is only active during the Embedded Programming Algorithm, Embedded Erase Algorithm, or sector erase time-out (see Table 8).

See Figure 11 for the $\overline{\text{Data}}$ Polling timing specifications and diagrams.

DQ6**Toggle Bit**

The Am29F400 also features the "Toggle Bit" as a method to indicate to the host system that the Embedded Algorithms are in progress or completed.

During an Embedded Program or Erase Algorithm cycle, successive attempts to read ($\overline{\text{OE}}$ toggling) data from the device will result in DQ6 toggling between one and zero. Once the Embedded Program or Erase Algorithm cycle is completed, DQ6 will stop toggling and valid data will be read on the next successive attempts. During programming, the Toggle Bit is valid after the rising edge of the fourth WE pulse in the four write pulse sequence. For chip erase, the Toggle Bit is valid after the rising edge of the sixth WE pulse in the six write pulse sequence. For Sector erase, the Toggle Bit is valid after the last rising edge of the sector erase WE pulse. The Toggle Bit is active during the sector time out.

In programming, if the sector being written to is protected, the toggle bit will toggle for about 2 μs and then stop toggling without the data having changed. In erase, the device will erase all the selected sectors except for the ones that are protected. If all selected sectors are protected, the chip will toggle the toggle bit for about 100 μs and then drop back into read mode, having changed none of the data.

Either $\overline{\text{CE}}$ or $\overline{\text{OE}}$ toggling will cause the DQ6 to toggle. In addition, an Erase Suspend/Resume command will cause DQ6 to toggle.

See Figure 12 for the Toggle Bit timing specifications and diagrams.

DQ5**Exceeded Timing Limits**

DQ5 will indicate if the program or erase time has exceeded the specified limits (internal pulse count). Under these conditions DQ5 will produce a "1". This is a failure condition which indicates that the program or erase cycle was not successfully completed. $\overline{\text{Data}}$ Polling is the only operating function of the device under this condition. The $\overline{\text{CE}}$ circuit will partially power down the device under these conditions (to approximately 2 mA). The $\overline{\text{OE}}$ and WE pins will control the output disable functions as described in Table 2.

If this failure condition occurs during sector erase operation, it specifies that a particular sector is bad and it may not be reused. However, other sectors are still functional and may be used for the program or erase operation. The device must be reset to use other sectors. Write the Reset command sequence to the device, and then execute program or erase command sequence. This allows the system to continue to use the other active sectors in the device.

If this failure condition occurs during the chip erase operation, it specifies that the entire chip is bad or combination of sectors are bad.

If this failure condition occurs during the byte programming operation, it specifies that the entire sector containing that byte is bad and this sector may not be reused, (other sectors are still functional and can be reused).

The DQ5 failure condition may also appear if a user tries to program a non blank location without erasing. In this case the device locks out and never completes the Embedded Algorithm operation. Hence, the system never reads a valid data on DQ7 bit and DQ6 never stops toggling. Once the device has exceeded timing limits, the DQ5 bit will indicate a "1." Please note that this is not a device failure condition since the device was incorrectly used.

DQ3**Sector Erase Timer**

After the completion of the initial sector erase command sequence the sector erase time-out will begin. DQ3 will remain low until the time-out is complete. $\overline{\text{Data}}$ Polling

and Toggle Bit are valid after the initial sector erase command sequence.

If $\overline{\text{Data Polling}}$ or the Toggle Bit indicates the device has been written with a valid erase command, DQ3 may be used to determine if the sector erase timer window is still open. If DQ3 is high ("1") the internally controlled erase cycle has begun; attempts to write subsequent commands to the device will be ignored until the erase operation is completed as indicated by $\overline{\text{Data Polling}}$ or Toggle Bit. If DQ3 is low ("0"), the device will accept additional sector erase commands. To insure the command has been accepted, the system software should check the status of DQ3 prior to and following each subsequent sector erase command. If DQ3 were high on the second status check, the command may not have been accepted.

Refer to Table 8: Hardware Sequence Flags.

$\text{RY}/\overline{\text{BY}}$

Ready/Busy

The Am29F400 provides a $\text{RY}/\overline{\text{BY}}$ output pin as a way to indicate to the host system that the Embedded™ Algorithms are either in progress or completed. If the output is low, the device is busy with either a program or erase operation. If the output is high, the device is ready to accept any read/write or erase operation. When the $\text{RY}/\overline{\text{BY}}$ pin is low, the device will not accept any additional program or erase commands. If the Am29F400 is placed in an Erase Suspend mode, the $\text{RY}/\overline{\text{BY}}$ output will be high. Also, since this is an open drain output, many $\text{RY}/\overline{\text{BY}}$ pins can be tied together in parallel with a pull up resistor to V_{CC} .

During programming, the $\text{RY}/\overline{\text{BY}}$ pin is driven low after the rising edge of the fourth $\overline{\text{WE}}$ pulse. During an erase operation, the $\text{RY}/\overline{\text{BY}}$ pin is driven low after the rising edge of the sixth $\overline{\text{WE}}$ pulse. The $\text{RY}/\overline{\text{BY}}$ pin should be ignored while $\overline{\text{RESET}}$ is at V_{IL} . Refer to Figure 13 for a detailed timing diagram.

$\overline{\text{RESET}}$

Hardware Reset

The Am29F400 device may be reset by driving the $\overline{\text{RESET}}$ pin to V_{IL} . The $\overline{\text{RESET}}$ pin has a pulse requirement and has to be kept low (V_{IL}) for at least 500 ns in order to properly reset the internal state machine. Any operation in the process of being executed will be terminated and the internal state machine will be reset 20 μs after the $\overline{\text{RESET}}$ pin is driven low. Furthermore, once the $\overline{\text{RESET}}$ pin goes high, the device requires an additional 50 ns before it will allow read access. When the $\overline{\text{RESET}}$ pin is low, the device will be in the standby mode for the duration of the pulse and all the data output pins will be tri-stated. If a hardware reset occurs during a program or erase operation, the data at that particular location will be corrupted. Please note that the $\text{RY}/\overline{\text{BY}}$ output signal should be ignored during the $\overline{\text{RESET}}$

pulse. Refer to Figure 14 for the timing diagram. Refer to Temporary Sector Unprotect for additional functionality.

Byte/Word Configuration

The $\overline{\text{BYTE}}$ pin selects the byte (8-bit) mode or word (16 bit) mode for the Am29F400 device. When this pin is driven high, the device operates in the word (16 bit) mode. The data is read and programmed at DQ0–DQ15. When this pin is driven low, the device operates in byte (8 bit) mode. Under this mode, the DQ15/A-1 pin becomes the lowest address bit and DQ8–DQ14 bits are tristated. However, the command bus cycle is always an 8-bit operation and hence commands are written at DQ0–DQ7 and the DQ8–DQ15 bits are ignored. Refer to Figures 15 and 16 for the timing diagram.

Data Protection

The Am29F400 is designed to offer protection against accidental erasure or programming caused by spurious system level signals that may exist during power transitions. During power up the device automatically resets the internal state machine in the Read mode. Also, with its control register architecture, alteration of the memory contents only occurs after successful completion of specific multi-bus cycle command sequences.

The device also incorporates several features to prevent inadvertent write cycles resulting from V_{CC} power-up and power-down transitions or system noise.

Low V_{CC} Write Inhibit

To avoid initiation of a write cycle during V_{CC} power-up and power-down, a write cycle is locked out for V_{CC} less than 3.2 V (typically 3.7 V). If $V_{CC} < V_{LKO}$, the command register is disabled and all internal program/erase circuits are disabled. Under this condition the device will reset to the read mode. Subsequent writes will be ignored until the V_{CC} level is greater than V_{LKO} . It is the users responsibility to ensure that the control pins are logically correct to prevent unintentional writes when V_{CC} is above 3.2 V.

Write Pulse "Glitch" Protection

Noise pulses of less than 5 ns (typical) on $\overline{\text{OE}}$, $\overline{\text{CE}}$ or $\overline{\text{WE}}$ will not initiate a write cycle.

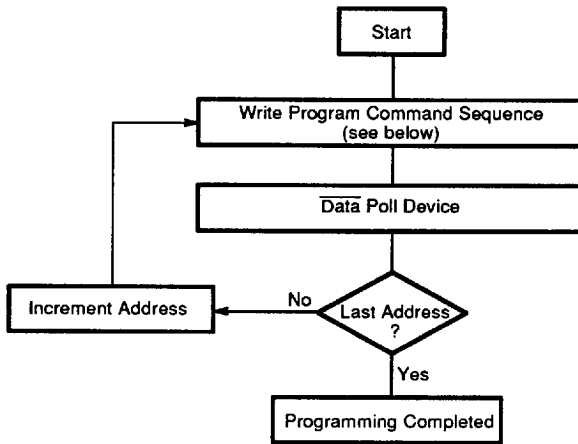
Logical Inhibit

Writing is inhibited by holding any one of $\overline{\text{OE}} = V_{IL}$, $\overline{\text{CE}} = V_{IH}$ or $\overline{\text{WE}} = V_{IH}$. To initiate a write cycle $\overline{\text{CE}}$ and $\overline{\text{WE}}$ must be a logical zero while $\overline{\text{OE}}$ is a logical one.

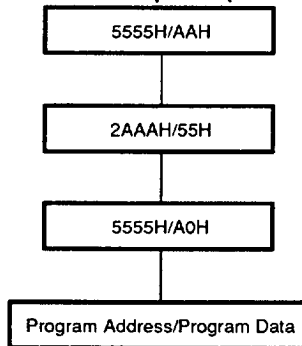
Power-Up Write Inhibit

Power-up of the device with $\overline{\text{WE}} = \overline{\text{CE}} = V_{IL}$ and $\overline{\text{OE}} = V_{IH}$ will not accept commands on the rising edge of $\overline{\text{WE}}$. The internal state machine is automatically reset to the read mode on power-up.

EMBEDDED ALGORITHMS



Program Command Sequence (Address/Command):



18612A-8

Figure 1. Embedded Programming Algorithm

Table 9. Embedded Programming Algorithm

Bus Operations	Command Sequence	Comments
Standby (Note 1)		
Write	Program	Valid Address/Data Sequence
Read		Data Polling to Verify Programming
Standby (Note 1)		Compare Data Output to Data Expected

Note:

1. Device is either powered-down, erase inhibit or program inhibit.

EMBEDDED ALGORITHMS

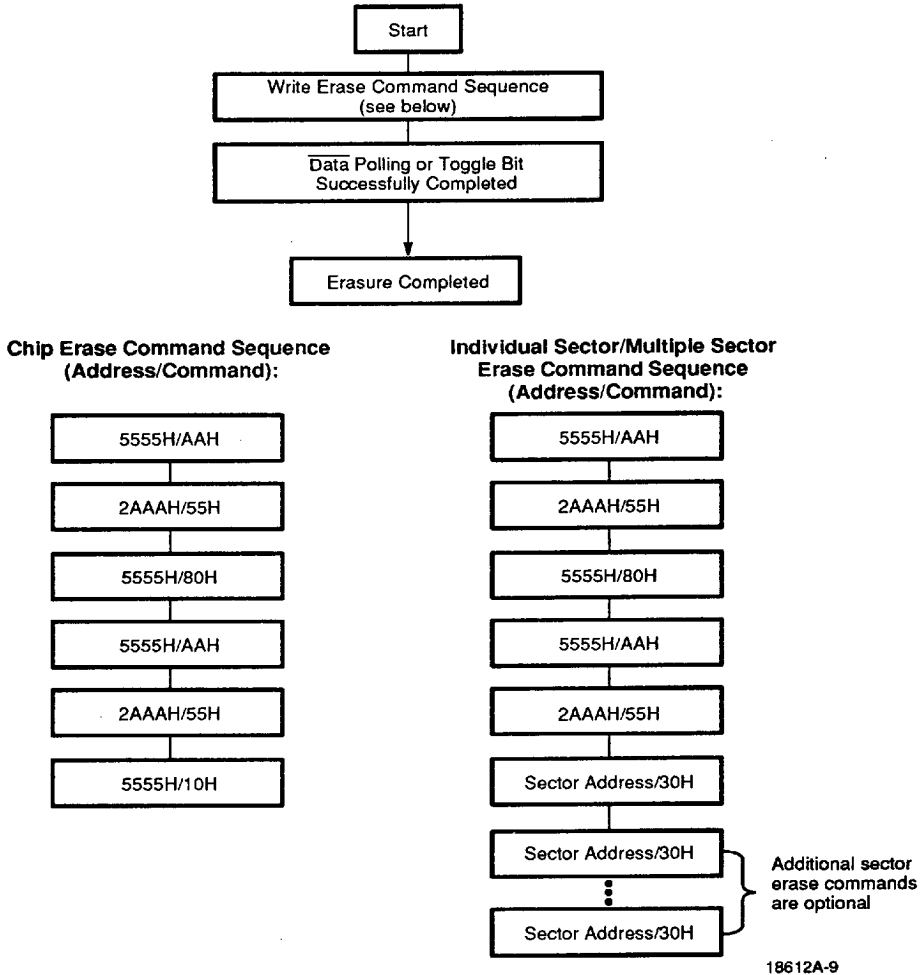


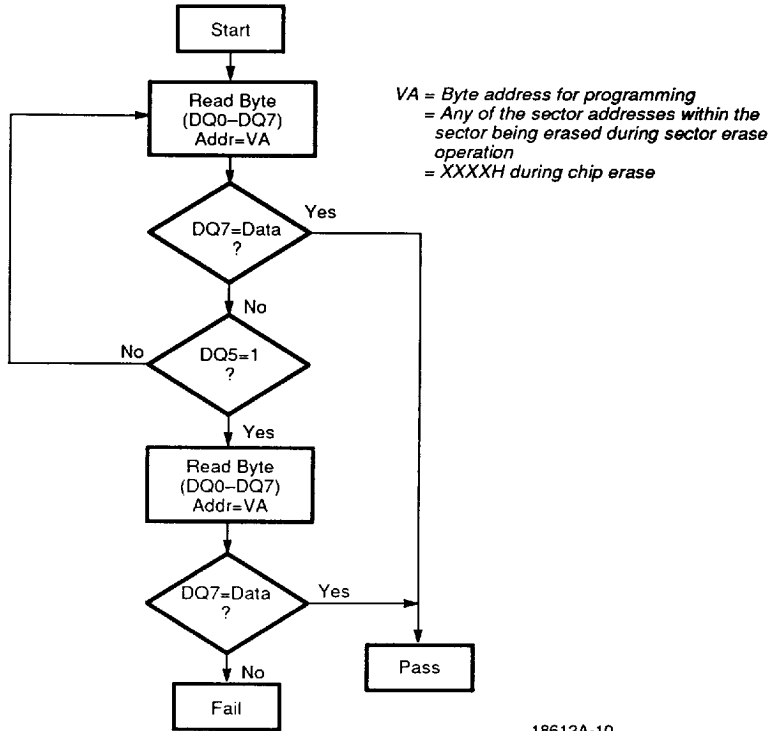
Figure 2. Embedded Erase Algorithm

Table 10. Embedded Erase Algorithm

Bus Operations	Command Sequence	Comments
Standby (Note 1)		
Write	Erase	
Read		Data Polling to Verify Erasure
Standby (Note 1)		Compare Output to FFH

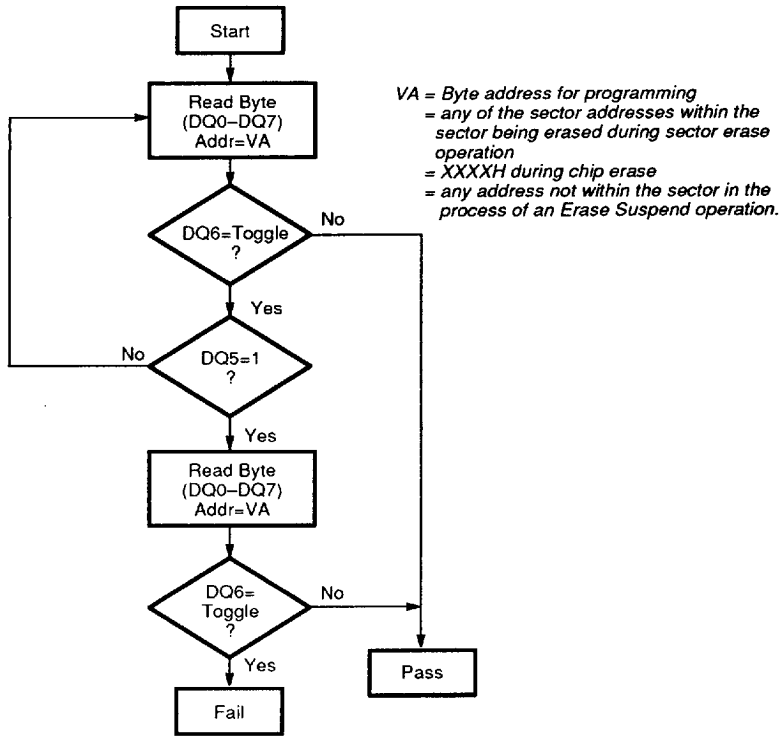
Note:

1. Device is either powered-down, erase inhibit or program inhibit.

**Note:**

1. DQ7 is rechecked even if DQ5 = "1" because DQ7 may change simultaneously with DQ5.

Figure 3. Data Polling Algorithm

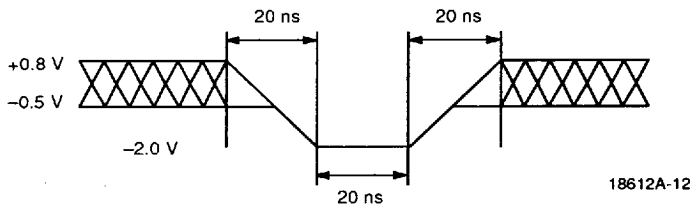


18612A-11

Note:

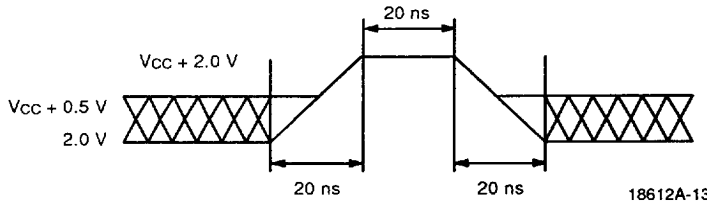
1. DQ6 is rechecked even if DQ5 = "1" because DQ6 may stop toggling at the same time as DQ5 changing to "1".

Figure 4. Toggle Bit Algorithm



18612A-12

Figure 5. Maximum Negative Overshoot Waveform



18612A-13

Figure 6. Maximum Positive Overshoot Waveform

ABSOLUTE MAXIMUM RATINGS

Storage Temperature	
Ceramic Packages	−65°C to +150°C
Plastic Packages	−65°C to +125°C
Ambient Temperature with Power Applied	−55°C to +125°C
Voltage with Respect to Ground	
All pins except A9 (Note 1)	−2.0 V to +7.0 V
V _{CC} (Note 1)	−2.0 V to +7.0 V
A9 (Note 2)	−2.0 V to +14.0 V
Output Short Circuit Current (Note 3)	200 mA

Notes:

1. Minimum DC voltage on input or I/O pins is −0.5 V. During voltage transitions, inputs may overshoot V_{SS} to −2.0 V for periods of up to 20 ns. Maximum DC voltage on output and I/O pins is V_{CC} + 0.5 V. During voltage transitions, outputs may overshoot to V_{CC} + 2.0 V for periods up to 20 ns.
2. Minimum DC input voltage on A9 pin is −0.5 V. During voltage transitions, A9 may overshoot V_{SS} to −2.0 V for periods of up to 20 ns. Maximum DC input voltage on A9 is +13.5 V which may overshoot to 14.0 V for periods up to 20 ns.
3. No more than one output shorted at a time. Duration of the short circuit should not be greater than one second.

Stresses above those listed under "Absolute Maximum Ratings" may cause permanent damage to the device. This is a stress rating only; functional operation of the device at these or any other conditions above those indicated in the operational sections of this specification is not implied. Exposure of the device to absolute maximum rating conditions for extended periods may affect device reliability.

OPERATING RANGES**Commercial (C) Devices**

Case Temperature (T_c) 0°C to +70°C

Industrial (I) Devices

Case Temperature (T_c) −40°C to +85°C

Extended (E) Devices

Case Temperature (T_c) −55°C to +125°C

Military (M) Devices

Case Temperature (T_c) −55°C to +125°C

V_{CC} Supply Voltages

V_{CC} for Am29F400T/B-75 +4.75 V to +5.25 V

V_{CC} for Am29F400T/B-90, 120 . . . +4.50 V to +5.50 V

Operating ranges define those limits between which the functionality of the device is guaranteed.

DC CHARACTERISTICS
TTL/NMOS Compatible

Parameter Symbol	Parameter Description	Test Conditions	Min	Max	Unit
I _{LI}	Input Load Current	V _{IN} = V _{SS} to V _{CC} , V _{CC} = V _{CC} Max		±1.0	μA
I _{LIT}	A9 Input Load Current	V _{CC} = V _{CC} Max, A9 = 12.5 V		50	μA
I _{LO}	Output Leakage Current	V _{OUT} = V _{SS} to V _{CC} , V _{CC} = V _{CC} Max		±1.0	μA
I _{CC1}	V _{CC} Active Current (Note 1)	$\overline{CE} = V_{IL}, \overline{OE} = V_{IH}$			Byte
					Word
				40	mA
				50	
I _{CC2}	V _{CC} Active Current (Notes 2, 3)	$\overline{CE} = V_{IL}, \overline{OE} = V_{IH}$		60	mA
I _{CC3}	V _{CC} Standby Current	V _{CC} = V _{CC} Max, $\overline{CE} = V_{IH}, \overline{OE} = V_{IH}$		1.0	mA
V _{IL}	Input Low Level		-0.5	0.8	V
V _{IH}	Input High Level		2.0	V _{CC} + 0.5	V
V _{ID}	Voltage for Autoselect and Sector Protect	V _{CC} = 5.0 V	11.5	12.5	V
V _{OL}	Output Low Voltage	I _{OL} = 5.8 mA, V _{CC} = V _{CC} Min		0.45	V
V _{OH}	Output High Level	I _{OH} = -2.5 mA V _{CC} = V _{CC} Min	2.4		V
V _{LKO}	Low V _{CC} Lock-Out Voltage		3.2	4.2	V

Notes:

- The I_{CC} current listed includes both the DC operating current and the frequency dependent component (at 6 MHz). The frequency component typically is less than 2 mA/MHz, with \overline{OE} at V_{IH}.
- I_{CC} active while Embedded Algorithm (program or erase) is in progress.
- Not 100% tested.

DC CHARACTERISTICS (continued)

CMOS Compatible

Parameter Symbol	Parameter Description	Test Conditions	Min	Max	Unit
I _{LI}	Input Load Current	V _{IN} = V _{SS} to V _{CC} , V _{CC} = V _{CC} Max		±1.0	μA
I _{LIT}	A9 Input Load Current	V _{CC} = V _{CC} Max, A9 = 12.5 V		50	μA
I _{LO}	Output Leakage Current	V _{OUT} = V _{SS} to V _{CC} , V _{CC} = V _{CC} Max		±1.0	μA
I _{CC1}	V _{CC} Active Current (Note 1)	$\overline{CE} = V_{IL}, \overline{OE} = V_{IH}$	Byte	40	mA
			Word	50	
I _{CC2}	V _{CC} Active Current (Notes 2, 3)	$\overline{CE} = V_{IL}, \overline{OE} = V_{IH}$	60	mA	
I _{CC3}	V _{CC} Standby Current	V _{CC} = V _{CC} Max, $\overline{CE} = V_{CC} \pm 0.5$ V, $\overline{OE} = V_{IH}$		100	μA
V _{IL}	Input Low Level		-0.5	0.8	V
V _{IH}	Input High Level		0.7x V _{CC}	V _{CC} +0.3	V
V _{ID}	Voltage for Autoselect and Sector Protect	V _{CC} = 5.0 V	11.5	12.5	V
V _{OL}	Output Low Voltage	I _{OL} = 5.8 mA, V _{CC} = V _{CC} Min		0.45	V
V _{OH1}	Output High Voltage	I _{OH} = -2.5 mA, V _{CC} = V _{CC} Min	0.85 V _{CC}		V
V _{OH2}		I _{OH} = -100 μA, V _{CC} = V _{CC} Min	V _{CC} -0.4		V
V _{LKO}	Low V _{CC} Lock-out Voltage		3.2	4.2	V

Notes:

- The I_{CC} current listed includes both the DC operating current and the frequency dependent component (at 6 MHz). The frequency component typically is less than 2 mA/MHz, with \overline{OE} at V_{IH}.
- I_{CC} active while Embedded Algorithm (program or erase) is in progress.
- Not 100% tested.

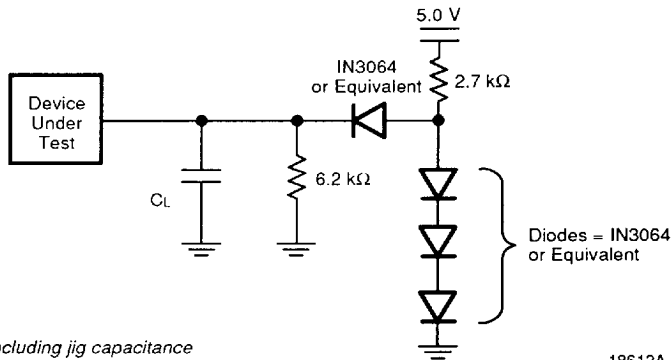
AC CHARACTERISTICS

Read Only Operations Characteristics

Parameter Symbols		Description	Test Setup		-75	-90	-120	-150	Unit
JEDEC	Standard				(Note 1)	(Note 2)	(Note 2)	(Note 2)	
tAVAV	tRC	Read Cycle Time (Note 4)		Min	70	90	120	150	ns
tAVQV	tACC	Address to Output Delay	$\overline{CE} = V_{IL}$ $\overline{OE} = V_{IL}$	Max	70	90	120	150	ns
tELQV	tCE	Chip Enable to Output Delay	$\overline{OE} = V_{IL}$	Max	70	90	120	150	ns
tGLOV	tOE	Output Enable to Output Delay		Max	30	35	50	55	ns
tEHQZ	tDF	Chip Enable to Output High Z (Note 3, 4)		Max	20	20	30	35	ns
tGHOZ	tDF	Output Enable to Output High Z (Note 3, 4)		Max	20	20	30	35	ns
tAXQX	tOH	Output Hold Time From Addresses, CE or OE, Whichever Occurs First		Min	0	0	0	0	ns
	tReady	\overline{RESET} pin low to read mode		Max	20	20	20	20	μ s
	tELFL	\overline{CE} to \overline{BYTE} switching low		Max	5	5	5	5	ns
	tELFH	\overline{CE} to \overline{BYTE} switching high							

Notes:

1. Test Conditions:
Output Load: 1 TTL gate and 30 pF
Input rise and fall times: 5 ns
Input pulse levels: 0.0 V to 3.0 V
Timing measurement reference level
Input: 1.5 V
Output: 1.5 V
2. Test Conditions:
Output Load: 1 TTL gate and 100 pF
Input rise and fall times: 20 ns
Input pulse levels: 0.45 V to 2.4 V
Timing measurement reference level
Input: 0.8 and 2.0 V
Output: 0.8 and 2.0 V
3. Output driver disable time.
4. Not 100% tested.



Notes:

- For -70: $C_L = 30$ pF including jig capacitance
For all others: $C_L = 100$ pF including jig capacitance

18612A-14

Figure 7. Test Conditions

AC CHARACTERISTICS

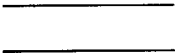
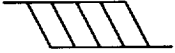

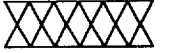
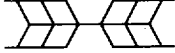
Write/Erase/Program Operations

Parameter Symbols		Description			-70	-90	-120	-150	Unit
JEDEC	Standard								
tAVAV	tWC	Write Cycle Time (3)	Min	70	90	120	150	ns	
tAVWL	tAS	Address Setup Time	Min	0	0	0	0	ns	
tWLAX	tAH	Address Hold Time	Min	45	45	50	50	ns	
tDVWH	tDS	Data Setup Time	Min	30	45	50	50	ns	
tWHDX	tDH	Data Hold Time	Min	0	0	0	0	ns	
	tOES	Output Enable Setup Time (3)	Min	0	0	0	0	ns	
	tOEH	Output Enable Hold Time	Min	0	0	0	0	ns	
		Read (Note 3) Toggle and Data Polling (3)	Min	10	10	10	10	ns	
tGHWL	tGHWL	Read Recover Time Before Write	Min	0	0	0	0	ns	
tELWL	tCS	\overline{CE} Setup Time	Min	0	0	0	0	ns	
tWHEH	tCH	\overline{CE} Hold Time	Min	0	0	0	0	ns	
tWLWH	tWP	Write Pulse Width	Min	35	45	50	50	ns	
tWHWL	tWPH	Write Pulse Width High	Min	20	20	20	20	ns	
tWHWH1	tWHWH1	Byte Programming Operation	Typ	16	16	16	16	μ s	
tWHWH2	tWHWH2	Erase Operation (1)	Typ	1.5	1.5	1.5	1.5	sec	
			Max	30	30	30	30	sec	
	tVCS	Vcc Set Up Time (3)	Min	50	50	50	50	μ s	
	tVLHT	Voltage Transition Time (2, 3, 5)	Min	4	4	4	4	μ s	
	tWPP	Write Pulse Width (2)	Min	100	100	100	100	μ s	
	tWPP2	Write Pulse Width (5)	Min	10	10	10	10	ms	
	tOESP	\overline{OE} Setup Time to \overline{WE} Active (2, 3, 5)	Min	4	4	4	4	μ s	
	tCSP	\overline{CE} Setup Time to \overline{WE} Active (3)	Min	4	4	4	4	μ s	
	tRP	\overline{RESET} Pulse Width	Min	500	500	500	500	ns	
	tFLOZ	\overline{BYTE} Switching Low to Output High Z (3, 4)	Max	20	30	30	30	ns	
	tBUSY	Program/Erase Valid to $\overline{RD}/\overline{BY}$ Delay (3)	Min	30	35	50	55	ns	

Notes:

1. This does not include the preprogramming time.
2. These timings are for Sector Protect operation.
3. Not 100% tested.
4. Output Driver Disable Time.
5. These timings are for Sector Unprotect operation.

KEY TO SWITCHING WAVEFORMS

WAVEFORM	INPUTS	OUTPUTS
	Must Be Steady	Will Be Steady
	May Change from H to L	Will Be Changing from H to L
	May Change from L to H	Will Be Changing from L to H
	Don't Care, Any Change Permitted	Changing, State Unknown
	Does Not Apply	Center Line is High-Impedance "Off" State

KS000010

SWITCHING WAVEFORMS

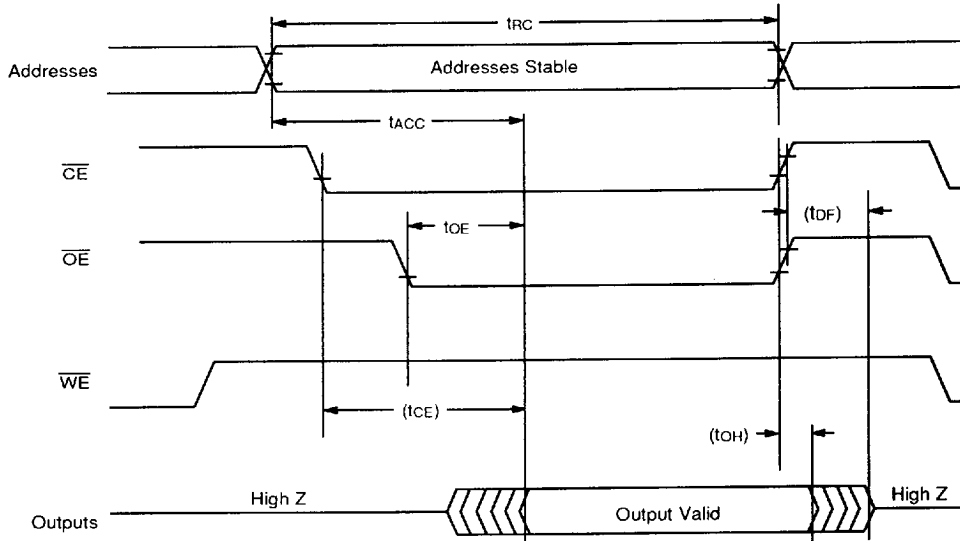
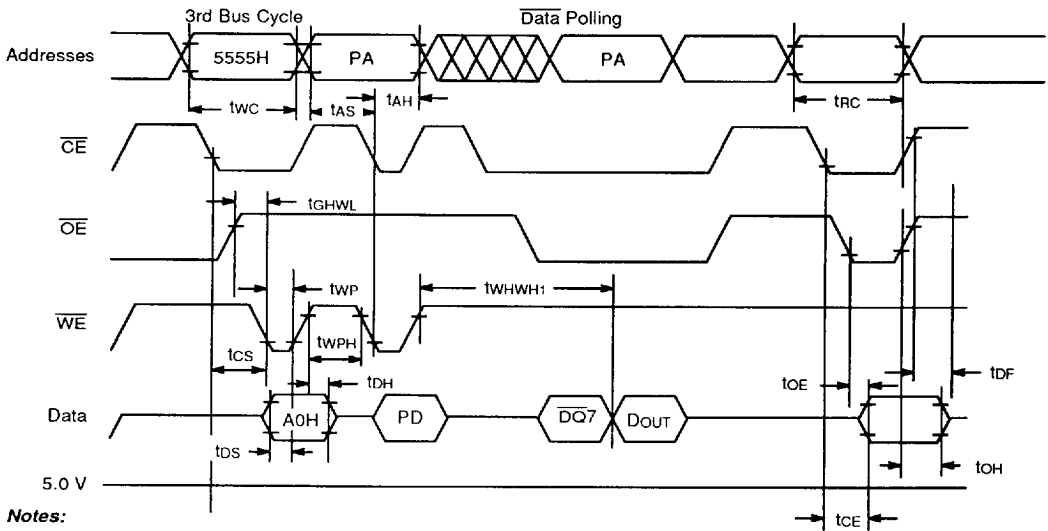


Figure 8. AC Waveforms for Read Operations

18612A-15

SWITCHING WAVEFORMS

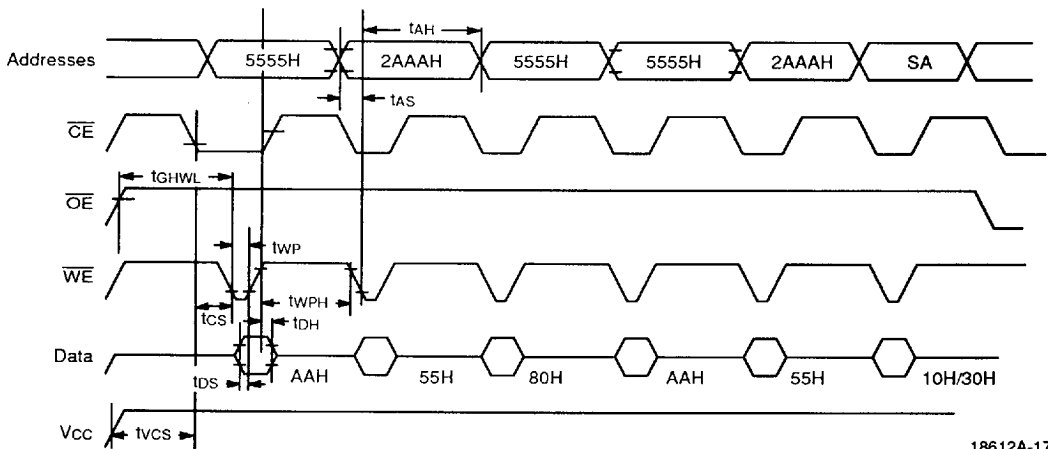


Notes:

1. PA is address of the memory location to be programmed.
2. PD is data to be programmed at byte address.
3. $\overline{DQ7}$ is the output of the complement of the data written to the device.
4. DOUT is the output of the data written to the device.
5. Figure indicates last two bus cycles of four bus cycle sequence.
6. These waveforms are for the x16 mode.

18612A-16

Figure 9. Program Operation Timings

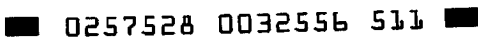


Notes:

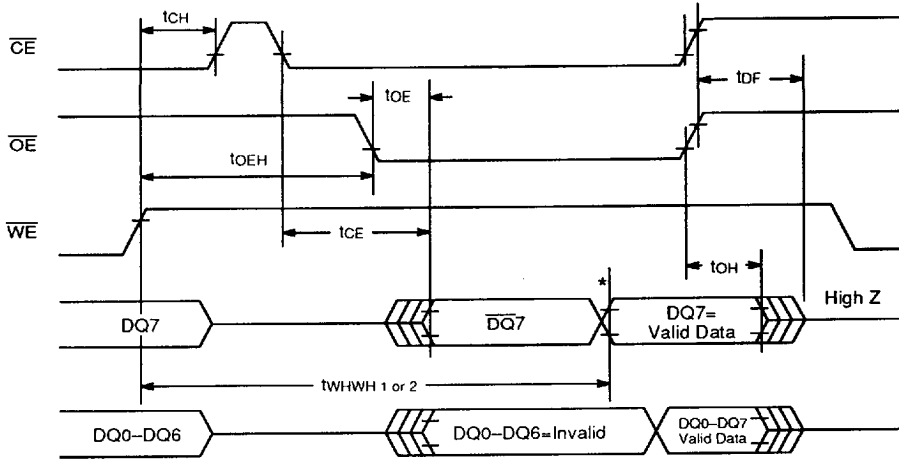
1. SA is the sector address for Sector Erase. Addresses = don't care for Chip Erase.
2. These waveforms are for the x16 mode.

18612A-17

Figure 10. AC Waveforms Chip/Sector Erase Operations



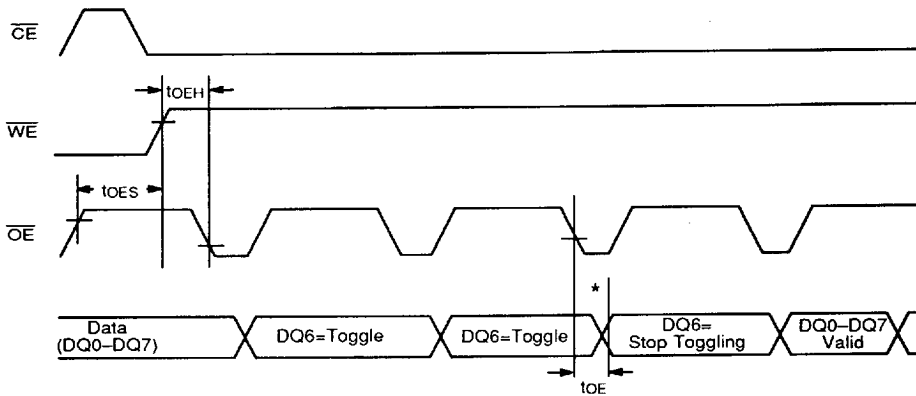
SWITCHING WAVEFORMS



*DQ7=Valid Data (The device has completed the Embedded operation).

18612A-18

Figure 11. AC Waveforms for Data Polling During Embedded Algorithm Operations

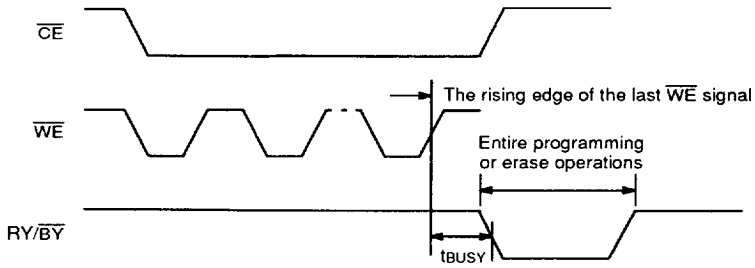


18612A-19

Note:

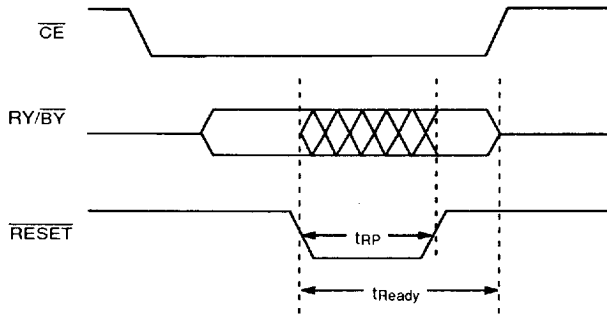
*DQ6 stops toggling (The device has completed the Embedded operation).

Figure 12. AC Waveforms for Toggle Bit During Embedded Algorithm Operations



18612A-20

Figure 13. $\overline{RY/\overline{BY}}$ Timing Diagram During Program/Erase Operations



18612A-21

Figure 14. $\overline{RESET}/\overline{RY/\overline{BY}}$ Timing Diagram

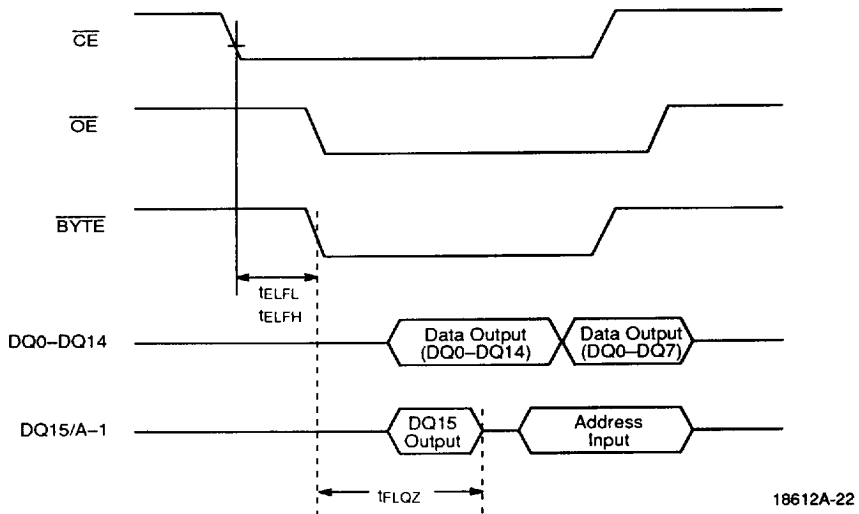


Figure 15. \overline{BYTE} Timing Diagram for Read Operation

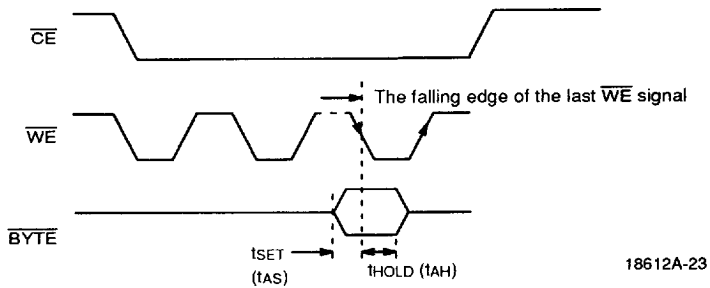
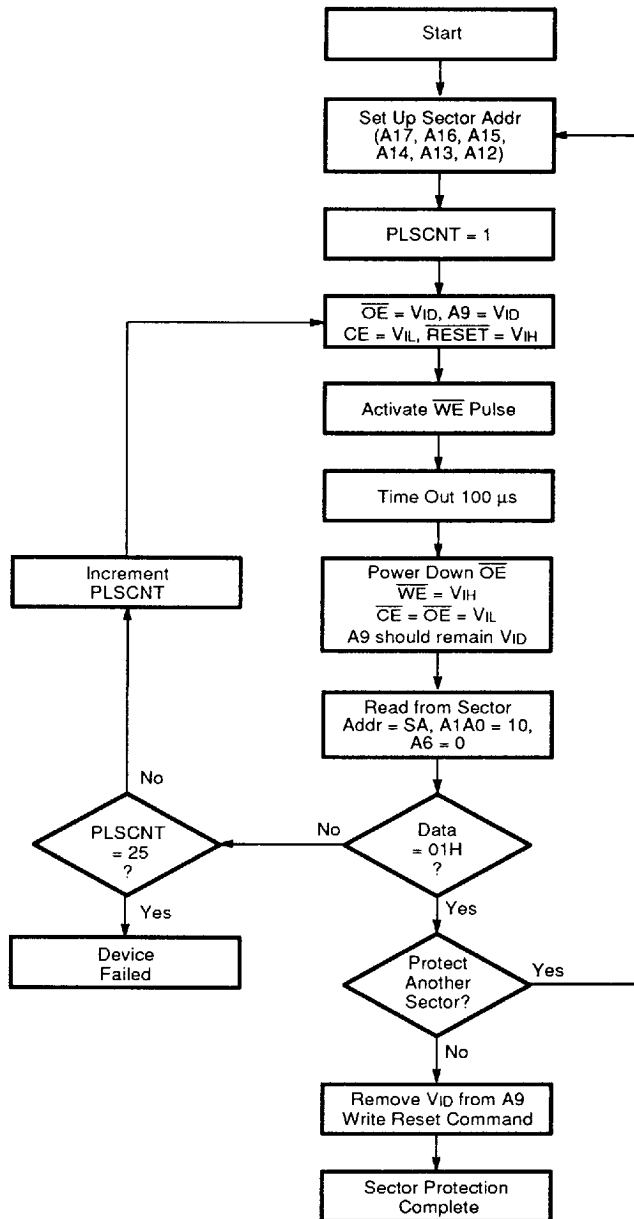


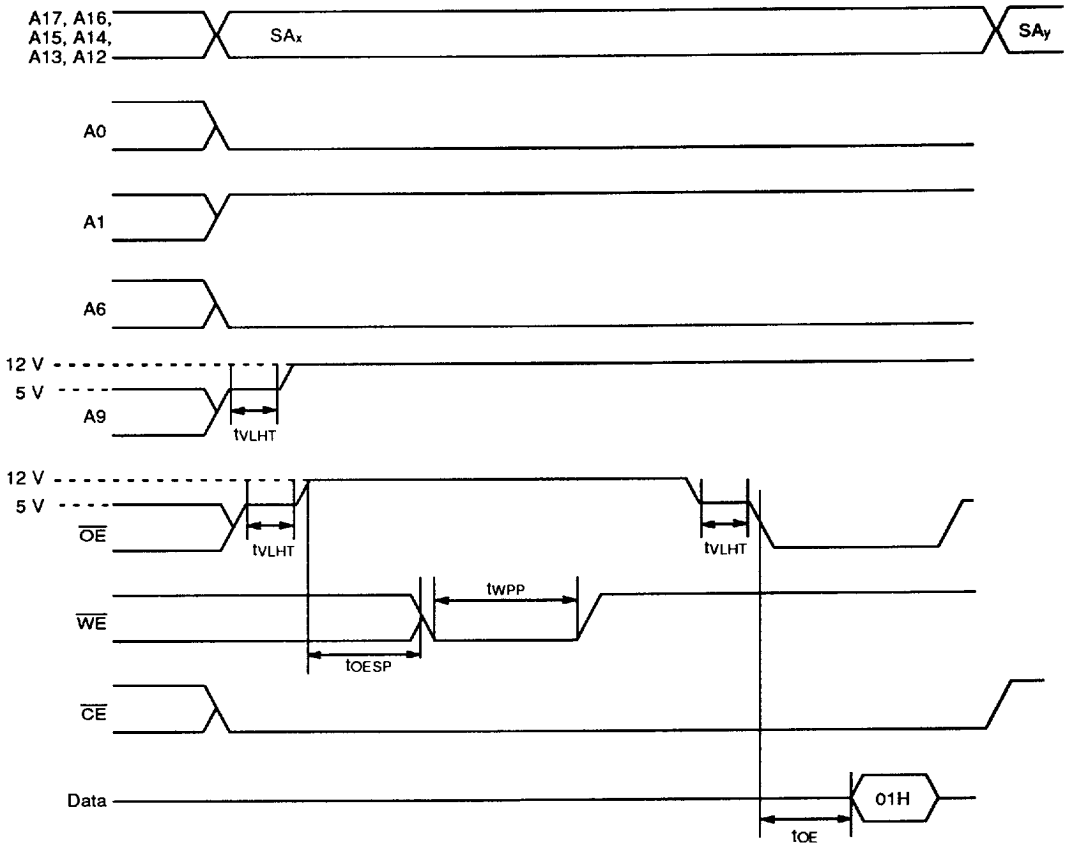
Figure 16. \overline{BYTE} Timing Diagram for Write Operations



18612A-24

Figure 17. Sector Protection Algorithm

SWITCHING WAVEFORMS

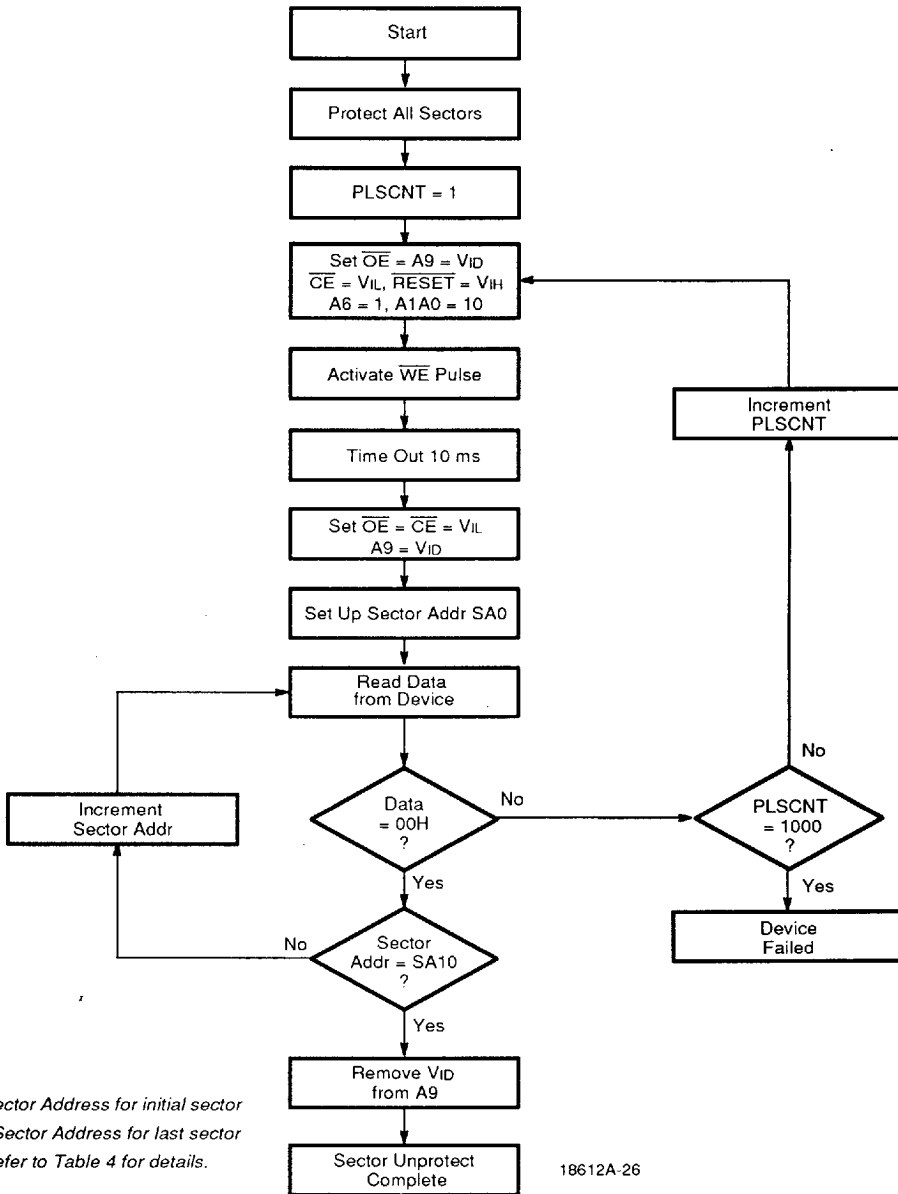


SA_x = Sector Address for initial sector

SA_y = Sector Address for next sector

18612A-25

Figure 18. AC Waveforms for Sector Protection

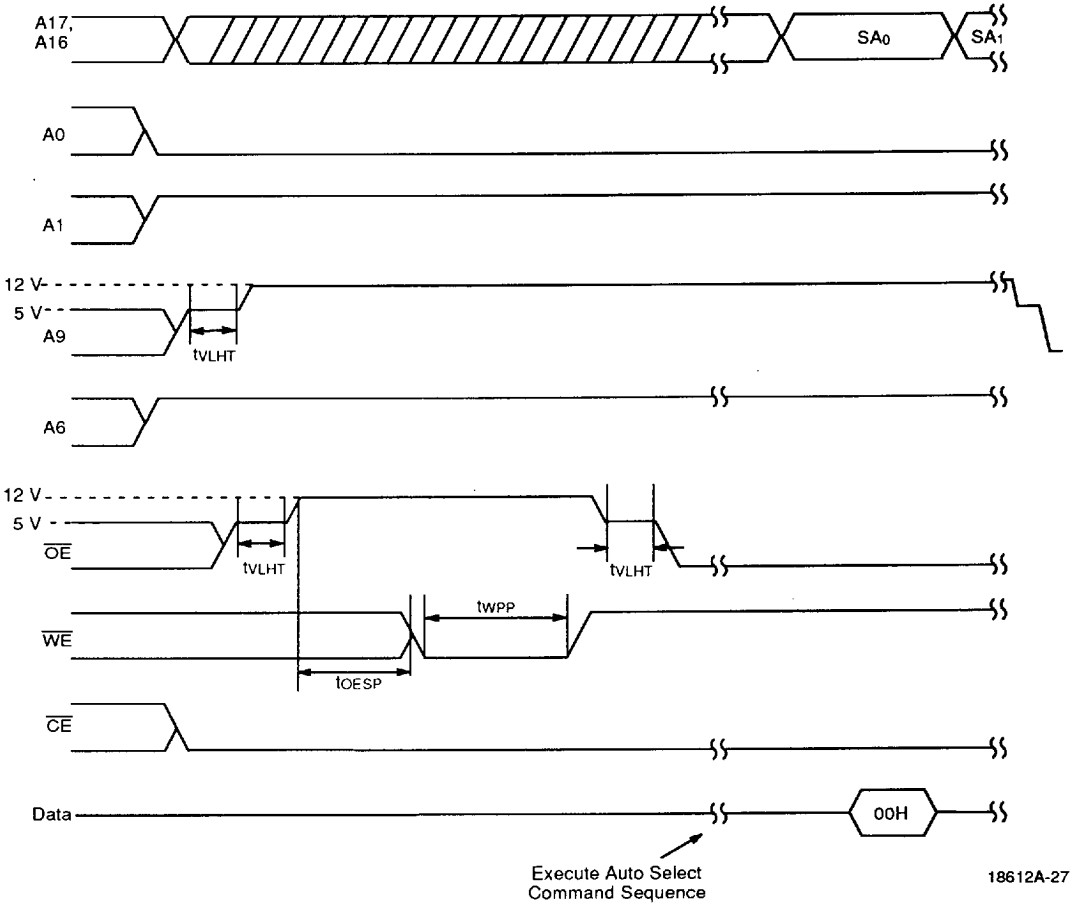


Notes:
 SA0 = Sector Address for initial sector
 SA10 = Sector Address for last sector
 Please refer to Table 4 for details.

18612A-26

Figure 19. Sector Unprotect Algorithm

SWITCHING WAVEFORMS



18612A-27

Figure 20. AC Waveforms for Sector Unprotect

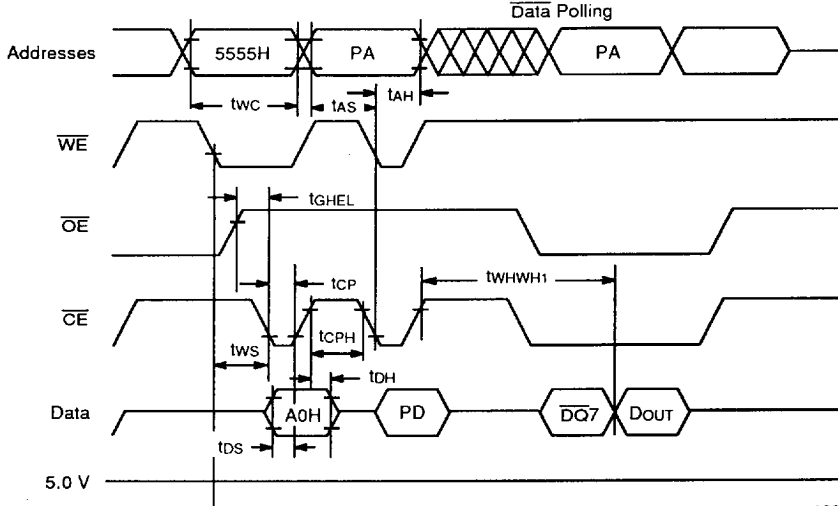
AC CHARACTERISTICS**Write/Erase/Program Operations****Alternate \overline{CE} Controlled Writes**

Parameter Symbols		Description		-70	-90	-120	-150	Unit
JEDEC	Standard							
tAVAV	tWC	Write Cycle Time (4)	Min	70	90	120	150	ns
tAVEL	tAS	Address Setup Time	Min	0	0	0	0	ns
tELAX	tAH	Address Hold Time	Min	45	45	50	50	ns
tDVEH	tDS	Data Setup Time	Min	30	45	50	50	ns
tEHDx	tDH	Data Hold Time	Min	0	0	0	0	ns
	tOES	Output Enable Setup Time	Min	0	0	0	0	ns
	tOEH	Output Enable Hold Time (4)						
		Read (4)	Min	0	0	0	0	ns
		Toggle and \overline{Data} Polling	Min	10	10	10	10	ns
tGHEL	tGHEL	Read Recover Time Before Write	Min	0	0	0	0	ns
tWLEL	tWS	\overline{WE} Setup Time	Min	0	0	0	0	ns
tEHWH	tWH	\overline{WE} Hold Time	Min	0	0	0	0	ns
tELEH	tCP	\overline{CE} Pulse Width	Min	35	45	50	50	ns
tEHEL	tCPH	\overline{CE} Pulse Width High	Min	20	20	20	20	ns
tWHWH1	tWHWH1	Byte Programming Operation	Typ	16	16	16	16	μ s
tWHWH2	tWHWH2	Erase Operation (Note 1)	Typ	1.5	1.5	1.5	1.5	sec
			Max	30	30	30	30	sec
	tVCS	Vcc Set Up Time (Note 4)	Typ	50	50	50	50	μ s
	tRP	\overline{RESET} Pulse Width	Min	500	500	500	500	ns
	tFLOZ	\overline{BYTE} Switching Low to Output High Z (3, 4)	Max	20	30	30	30	ns
	tBUSY	Program/Erase Valid to RD/ \overline{BY} Delay (4)	Min	30	35	50	55	ns

Notes:

1. This does not include the preprogramming time.
2. These timings are for Sector Protect/Unprotect operations.
3. This timing is only for Sector Unprotect.
4. Not 100% tested.

■ 0257528 0032564 698 ■



18612A-28

Notes:

1. PA is address of the memory location to be programmed.
2. PD is data to be programmed at byte address.
3. $\overline{DQ7}$ is the output of the complement of the data written to the device.
4. DOUT is the output of the data written to the device.
5. Figure indicates last two bus cycles of four bus cycle sequence.
6. These waveforms are for the x16 mode.

Figure 21. Alternate \overline{CE} Controlled Program Operation Timings

ERASE AND PROGRAMMING PERFORMANCE

Parameter	Limits			Unit	Comments
	Min	Typ	Max		
Chip and Sector Erase Time		1.5 (Note 1)	30	sec	Excludes 00H programming prior to erasure
Byte Programming Time		16	1000 (Note 2)	μs	Excludes system-level overhead
Chip Programming Time		8.5 (Note 1)	50	sec	Excludes system-level overhead
Erase/Program Cycles	100,000	1,000,000		Cycles	

Notes:

1. 25°C, 5 V V_{CC}, 100,000 cycles
2. The Embedded Algorithms allow for 48 ms byte program time.

LATCHUP CHARACTERISTICS

	Min	Max
Input Voltage with respect to V _{SS} on all I/O pins	-1.0 V	V _{CC} + 1.0 V
V _{CC} Current	-100 mA	+100 mA

Includes all pins except V_{CC}. Test conditions: V_{CC} = 5.0 V, one pin at a time.

TSOP PIN CAPACITANCE

Parameter Symbol	Parameter Description	Test Setup	Typ	Max	Unit
C _{IN}	Input Capacitance	V _{IN} = 0	6	7.5	pF
C _{OUT}	Output Capacitance	V _{OUT} = 0	8.5	12	pF
C _{IN2}	Control Pin Capacitance	V _{IN} = 0	8	10	pF

Notes:

1. Sampled, not 100% tested.
2. Test conditions T_A = 25°C, f = 1.0 MHz

SO PIN CAPACITANCE

Parameter Symbol	Parameter Description	Test Setup	Typ	Max	Unit
C _{IN}	Input Capacitance	V _{IN} = 0	6	7.5	pF
C _{OUT}	Output Capacitance	V _{OUT} = 0	8.5	12	pF
C _{IN2}	Control Pin Capacitance	V _{PP} = 0	8	10	pF

Notes:

1. Sampled, not 100% tested.
2. Test conditions T_A = 25°C, f = 1.0 MHz

DATA RETENTION

Parameter	Test Conditions	Min	Unit
Minimum Pattern Data Retention Time	150°C	10	Years
	125°C	20	Years